



The World Leading Heat Pump Company



## HEATING AND COOLING SOLUTIONS

# CORA

## STYLED TO PERFORM

Delivers with understated confidence, featuring whisper quiet operation, industry leading energy efficiency and premium comfort levels without compromising on style.

### BEST FOR:

- HEATING OR COOLING OF SMALL TO LARGE ROOMS
- THOSE THAT ARE CONSCIOUS OF ENERGY USAGE
- MAINTAINING ROOM AMBIENCE



### PROGRAM DRY FUNCTION

Besides reducing humidity, this function automatically controls temperature and airflow rate and will cleverly switch into cooling mode if the room temperature rises too much.



### COMFORT AIRFLOW

Discharge louvres are specially designed to stream cooling air upwards along the ceiling (coanda effect) and warm air down along the floor. This delivers rapid cooling or heating and even temperature distribution.



### PRECISION CONTROL

For even greater precision and control, you can now set your room temperature in increments of 0.5°C to ensure optimal comfort conditions all year round.

REVERSE  
CYCLE



2.8kW  
-TO-  
10.3kW

RATED HEATING  
CAPACITIES

9

MODELS



SENSITIVE  
CHOICE  
ASTHMA + RESPIRATORY  
FOUNDATION NZ



DAIKIN  
MOBILE CONTROLLER  
OPTION



### 2-AREA INTELLIGENT EYE

The 2-area Intelligent Eye\* is so clever it can now either direct airflow towards you or away from you for draught free comfort. If the room is unoccupied the unit will automatically enable energy saving operations.



### POWERFUL OPERATION

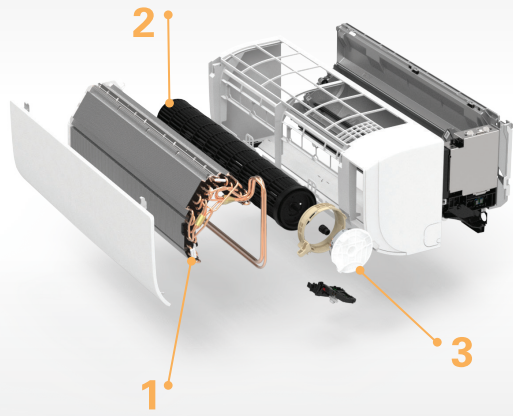
Push the POWERFUL button on the remote control and you'll be relieved with a cooling or heating boost for a 20 minute period, even if the unit's already operating at high capacity.



### ADVANCED PURIFICATION

Each model is fitted with a titanium apatite deodorising air purification filter that traps microscopic particles, decomposes odours and even deactivates bacteria.

\* 20-46 Class Models



## TECHNOLOGY

### 1. REDESIGNED HEAT EXCHANGER

Slit type fin design with Ø5mm piping increases heat exchange area for improved capacity output and energy performance.

### 2. CROSS FLOW FAN

Large diameter rotor with aerofoil blade design delivers larger volumes of air more quietly than ever before.

### 3. NEW ODM MOTOR

Compact 10 pole DC outer diameter rotor motor delivers higher torque more efficiently.



### Daikin Mobile Controller (Option)

Daikin's Mobile Controller allows you to control your Daikin Split System from anywhere, anytime.

## SPECIFICATIONS

INDOOR UNIT		FTXM20RVMZ	FTXM25RVMZ	FTXM35RVMZ	FTXM46RVMZ	FTXM50RVMZ	FTXM60RVMZ	FTXM71RVMZ	FTXM85PVMA	FTXM95PVMA	
OUTDOOR UNIT		RXM20RVMZ	RXM25RVMZ	RXM35RVMZ	RXM46RVMZ	RXM50RVMZ	RXM60RVMZ	RXM71RVMZ	RXM85PVMA	RXM95PVMA	
Rated Capacity	Cool (kW)	2.0	2.5	3.5	4.6	5.0	6.0	7.1	8.5	9.4	
	Heat (kW)	2.8	3.3	4.0	5.4	6.1	7.3	8.1	9.0	10.3	
Capacity Range	Cool (kW)	0.9-2.8	0.9-3.7	0.9-4.2	0.9-5.5	1.1-6.7	1.1-7.5	2.0-8.9	2.0-10.5	2.0-11.2	
	Heat (kW)	0.9-4.4	0.9-5.4	0.9-5.5	1.0-6.7	1.0-8.5	1.0-9.8	2.0-10.8	1.9-11.6	1.9-12.0	
Indoor Airflow Rate (H)	Cool (l/s)	152	167	175	203	267	310	310	358	372	
	Heat (l/s)	157	168	183	202	287	333	328	422	413	
Indoor Fan Speeds		5 steps, quiet and automatic									
Energy Label/Star Ratings	Cool	5	5	3.5	3	4	3	2.5	2	2	
	Heat	5	5	4.5	3	4.5	4	3.5	2.5	2	
Front Panel Colour		White									
Power Supply		1 phase, 220-240V, 50Hz									
Power Input (Rated)	Cool (kW)	0.40	0.49	0.81	1.20	1.14	1.52	1.93	2.49	2.79	
	Heat (kW)	0.58	0.68	0.87	1.41	1.34	1.70	1.98	2.42	3.07	
E.E.R/C.O.P	Cool/Heat	5.00/4.83	5.10/4.85	4.32/4.60	3.83/3.83	4.39/4.55	3.95/4.29	3.68/4.09	3.41/3.72	3.37/3.36	
A.E.E.R/A.C.O.P	Cool/Heat	4.82/4.77	4.95/4.81	4.20/4.56	3.79/3.80	4.33/4.52	3.91/4.27	3.53/4.00	3.31/3.62	3.27/3.28	
Dimensions (HxWxD)	Indoor (mm)	285x770x223				295x990x263			340x1200x259		
	Outdoor (mm)	550x675x284				695x930x350			990x940x320		
Weight	Indoor (kg)	9	9	9	9	13	13	13	17	18	
	Outdoor (kg)	28	30	30	51	54	54	60	80	82	
Compressor Type		Hermetically Sealed Swing Type									
Refrigerant Type		R32									
Max Pipe Length	(m)	20	20	20	30	30	30	30	30	30	
Max Level Difference	(m)	15	15	15	20	20	20	20	20	20	
Pipe Sizes	Liquid (mm)	6.4	6.4	6.4	6.4	6.4	6.4	6.4	6.4	6.4	
	Gas (mm)	9.5	9.5	9.5	12.7	12.7	12.7	15.9	15.9	15.9	
Outdoor Operating Range	Cool (°CDB)	-10 to 46									
	Heat (°CWB)	-15 to 18									
Indoor Sound Level (H/SL)	Cool (dBA)	38/19	40/19	42/19	44/26	45/28	48/29	49/30	51/37	53/38	
	Heat (dBA)	39/20	40/20	42/20	43/26	45/28	48/29	49/30	51/35	52/35	
Outdoor Sound Level (H)	Cool (dBA)	46/43	47/43	49/44	47/44	47/44	49/45	53/49	54/51	54/51	
	Heat (dBA)	47/44	48/44	50/45	49/45	48/45	52/45	54/49	56/51	55/51	
Outdoor EPA Sound Power Level (H)	Cool (dBA)	58	59	61	59	59	61	65	66	66	
	Heat (dBA)	59	60	62	61	60	64	66	68	67	

- Notes: 1. The rated capacity is measured in accordance with AS/NZS 3823.1.1  
 2. The cooling (or heating) output capacity will be reduced below the rated value as the outdoor temperature approaches the maximum (or minimum) outdoor temperature operating range limit.

3. The specifications, designs & information in this flyer are subject to change without notice. Unit colours shown are as close as possible to actual unit colours. Colours depicted in this flyer may vary slightly.

Your Local Daikin Specialist Dealer:



daikin.co.nz